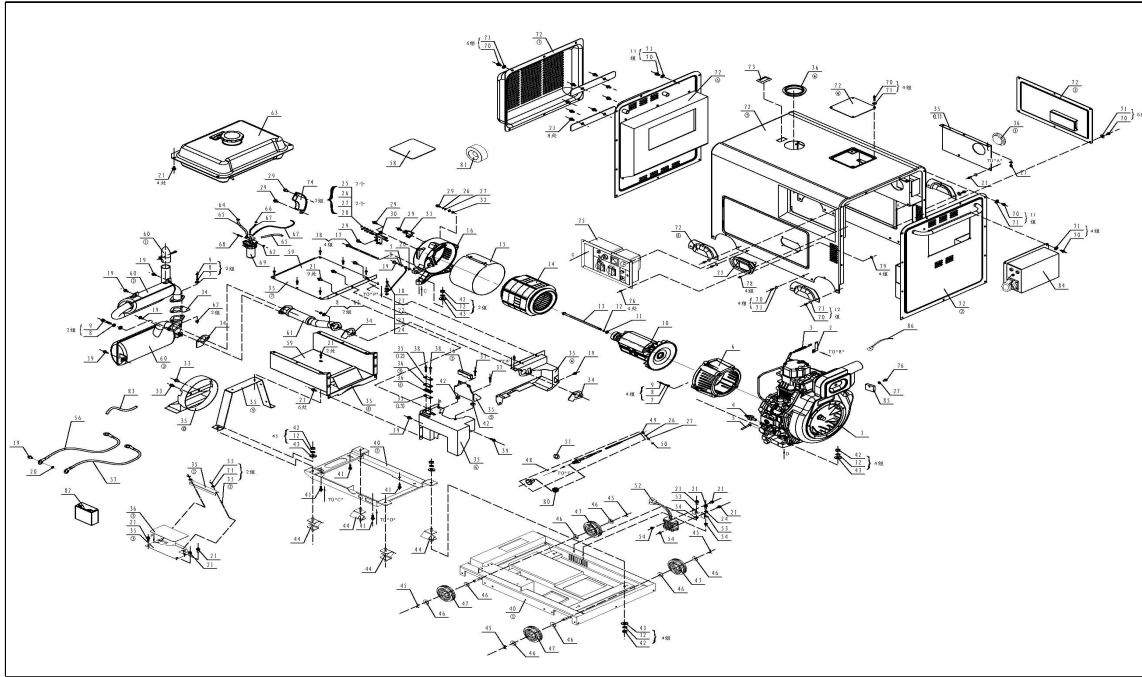


## DG5500SE+DC+B+ATS generator spare parts list



No.	CODE	DESCRIPTION	QTY	REMARK	No.	CODE	DESCRIPTION	QTY	REMARK
1	01103000071	UD186 diesel engine	1	UD186-71	44	029910300401	shock absorber	4	
2	021060000500	spring bracket	1		45	514010000100	pin	4	3.2X20
3	021060000400	spring	1		46	513041200000	large flat washer Φ12	8	
4	029990000201	low oil pressure annunciator	1		47	029970000205	wheel	4	
5	021060000200	wire clip	2		48	021060100003	reducing valve rope	1	
6	029030200305	alternator front cover	1		49	021060000300	flange bolt M5X12(with hole)	1	
7	513010800001	flat washer Φ8	9		50	512070500000	locknut M5	1	
8	513020800002	spring washer Φ8	11		51	523010100100	O ring	1	12X1.9G
9	511060803301	flange bolt M8X33.5	8		52	019990000103	rectifier	1	with 10A fuse
10	062026520009	rotor assembly	1	5.0KW brush 190 * 140 (V2)-HC punching cold / retainer	53	021060000800	rectifier bracket	2	
11	513041000006	large flat washer Φ10 (h=3mm)	1		54	512040600001	flange nut M6	4	
12	513021000002	spring washer Φ10	15		55	512020600002	butterfly nut M6	2	
13	511011026501	rotor bolt M10X265	1		56	029969900219	battery wire(black)	1	250MM
14	062026530001	stator assembly	1	190 * 140 (230V/50HZ) 3 # line 5.0KWDC brush cold	57	029969900207	battery wire(red)	1	700MM
15	029030102000	protection board	1	620×130	58	021060400000	absorb sound cotton	1	
16	029030430700	alternator end cover	1		59	021060800000	heat insulation cotton	1	
17	511050617501	flange bolt M6X175	4		60	029043300003	muffler assembly	1	
18	513020600002	spring washer Φ6	5		61	021060000900	corrugation pipe	1	
19	511050801201	flange bolt M8X12	8		62	512040800001	flange nut M8	5	
20	513030800000	external tooth lock washer Φ8	2		63	029010400018	fuel tank	1	16 l (plated color)
21	511050601201	flange bolt M6X12	46		64	029019900402	clamp Φ13	4	
22	513010600001	flat washer Φ6	1		65	029019900200	fuel pipe Φ7.5	1	
23	029930000501	grounding wire	1	φ8 + φ10 (15cm)	66	029019900401	clamp Φ8	4	
24	513030600000	external tooth lock washer Φ6	2		67	029019900100	fuel pipe Φ4.5	1	
25	512010500001	nut M5	4		68	511050804503	flange bolt M8X45	1	
26	513020500000	spring washer Φ5	4		69	029019900802	fuel tank switch	1	with diesel oil filter element
27	513010500001	flat washer Φ5	7		70	511050601401	flange bolt M6X14	58	
28	511140502000	full-thread bolt M5X20	2		71	513040600000	large flat washer Φ6	64	
29	511050501601	flange bolt M5X16	4		72	021060300024	DOS shell assembly	1	yellow / black mute door / both sides of the gray
30	029030500101	connection pole	1		73	021060500000	window assembly	1	
31	029030700200	carbon brush	1		74	029030640113	AVR	1	Sampling 5KW AVR 220V
32	513030500000	external tooth lock washer Φ5	1		75	029020700031	control panel assembly	1	(DG5500S)E+ DC+ATS
33	511050501201	flange bolt M5X12	2		76	515010601202	fillister head bolt M6X12	7	
34	029049910400	exhaust gasket	4		77	021060200000	lock	1	
35	021060700000	inside assembly	1		78	515010400802	fillister head bolt M4X8	4	
36	021060600000	rubber assembly	1		79	512010400002	nut M4	4	
37	511050802501	flange bolt M8X25	2		80	021061200200	reducing valve rope nut	1	
38	511050602003	flange bolt M6X20	2		81	022020200300	aluminum foil adhesive tape	1	
39	511050604503	flange bolt M6X45	1		82	029960300100	battery	1	20AH
40	021060900000	underpan	1		83	069130204000	thermal shrinkage pipe	1	
41	511141004001	full-thread bolt M10X40	6		84	029990800010	ATS	1	single phase
42	512011000000	nut M10	16		85	029029901601	relay 30A	1	
43	513011000001	flat washer Φ10	14		86	029990000804	DC charge wire	1	